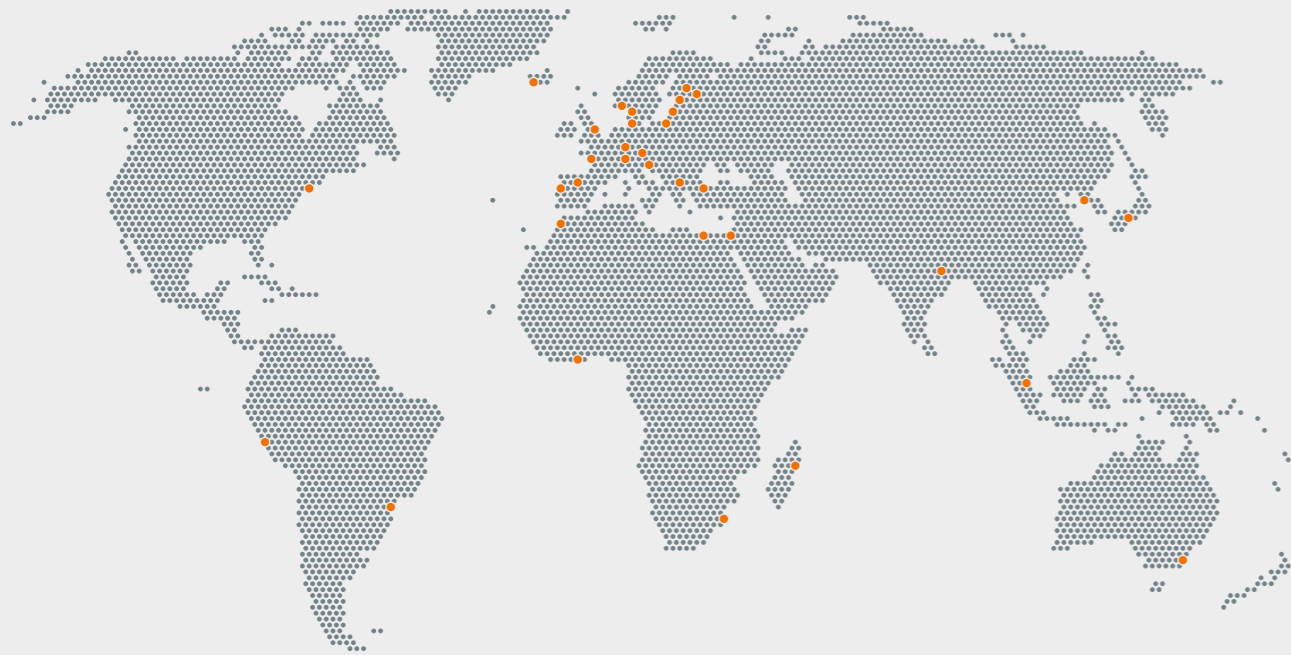


MAFI Representatives

MAFI has a worldwide network of representatives to support you in your procurement, service and maintenance tasks.



represented by

MAFI Transport-Systeme GmbH

Hochhäuser Straße 18

97941 Tauberbischofsheim

Germany

+49 9341/899-0

sales@mafi.de

www.mafi.de



www.mafi.de

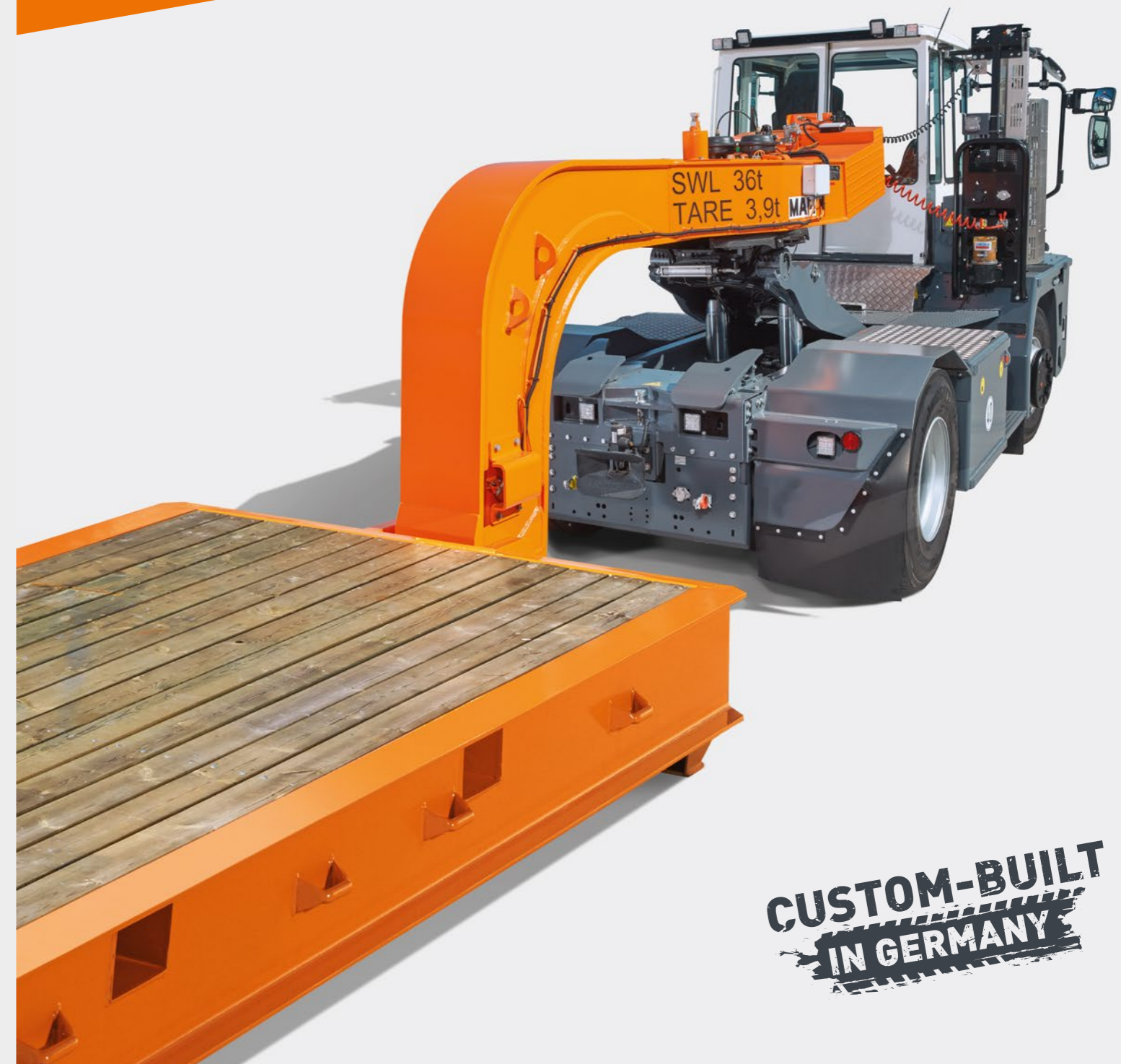
Disclaimer

The models shown here may include different configurations, dimensions, weights and services that are not available in certain countries or may vary depending on the version. The equipment shown or mentioned may be part of special equipment (e.g. options and accessories) and may vary depending on local regulations. We would be pleased to provide you with further information. The colour representation may vary slightly due to printing or presentation. We also reserve the right to make changes, typesetting errors and printing errors. Furthermore, we reserve the right to change the technical details listed here without prior notice.

Text, images, graphics and their arrangement are protected by copyright and other protective rights. The content presented here may not be copied, distributed, changed or made accessible to third parties for commercial purposes. We would like to point out that the text, images and graphics contained herein are wholly or partly subject to the copyright of third parties. Unless otherwise indicated, all trademarks used herein are protected under trademark laws. This applies in particular to brands, type designations, logos and emblems.



TRAILERS & EQUIPMENT



**CUSTOM-BUILT
IN GERMANY**



MAFI Transport-Systeme GmbH Tauberbischofsheim

MAFI Transport-Systeme GmbH specializes in the design and manufacture of heavy-duty vehicles for transporting containers, semi-trailers, roll and cargo-trailer and container chassis for ports and industries.

MAFI considers itself to be a system supplier, offering the appropriate trailers and roll and cargo-trailer for distribution, industries and seaports.

In the 1960s, MAFI developed the RoRo-System (Roll on / Roll off) and set the standard for efficient and economical loading and unloading of ships. The roll and cargo-trailer-system consisting of a tractor, gooseneck and roll and cargo-trailer revolutionized the handling of goods in seaports worldwide. This development led to a drastic reduction in loading and unloading times. Customers appreciate the high-quality, flexible solutions of that MAFI provides for their transport tasks.

The customer base includes manufacturers, suppliers and service providers from the international seaports, the steel, aluminium, paper and automotive industries, as well as logistics centers and airports.

**PERFORMING AT THE
HIGHEST LEVEL!**





MAFI Trailers

Industrial and Heavy-Duty Trailers / Roll and Cargo-Trailer / Container Chassis

For internal transport within ports, industries and logistic centres, MAFI supplies industrial and heavy-duty trailers, as well as roll and cargo-trailer and container chassis. All trailers are custom-built and are specially designed for your individual transport task.

A variety of designs are available. Payload, platform dimensions and the cover are freely selectable. When it comes to tires, you can choose between solid rubber, super elastic or pneumatic tires. You have the choice of coupling device to suit the towing vehicle and, if necessary, a suitable braking system as well. Superstructures like coil beds, stanchions, weather protection covers etc. are available. Safety features to ensure the secure transport of the load are also offered.

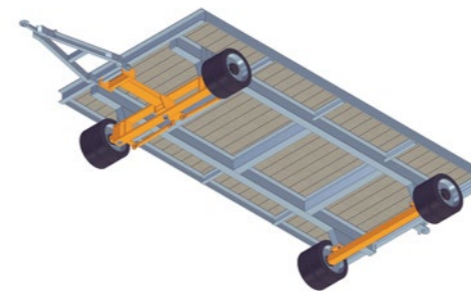


Industrial and Heavy-Duty Trailers



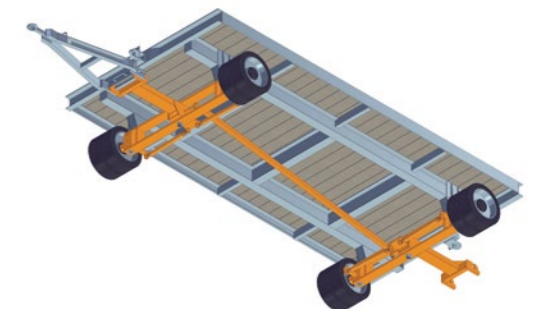
MAFI Industrial Trailers with axle pivot steering for payloads of up to 25 t

The advantages of axle pivot steering are stability and a low platform height.



Axle Pivot Steering Type 1060-2/1160-2

- great ground clearance
- low platform height
- tilt-proof
- good manoeuvrability when reversing



All-Wheel Axle Steering Type 1060/1160

- small turning radius
- in-line running
- reversible drawbar
- tilt-proof due to steering limitation

Industrial and Heavy-Duty Trailers



Industrial and Heavy-Duty Trailers



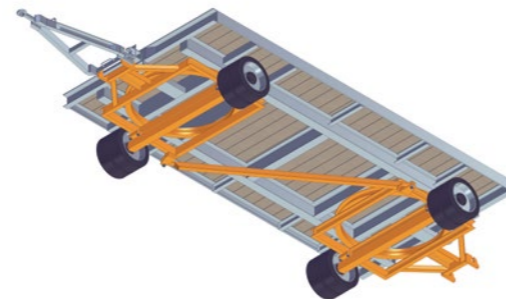
MAFI Industrial Trailers with turntable steering for payloads of up to 25 t

The advantage of the turntable steering is the robust, low-maintenance roller-bearing precision turntable.



Turntable Steering Type 1010/1110

- great ground clearance
- particularly agile
- steerable up to 180°
- good manoeuvrability when reversing

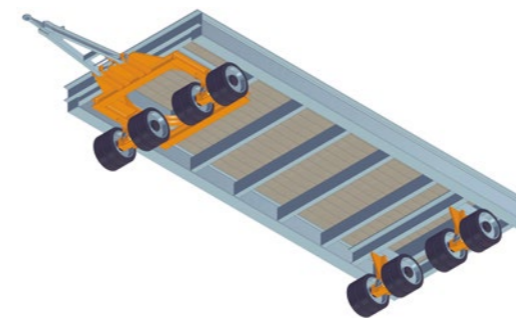


Double Turntable Steering Type 1020/1120

- small turning radius
- in-line running
- reversible drawbar
- tilt-proof due to steering limitation

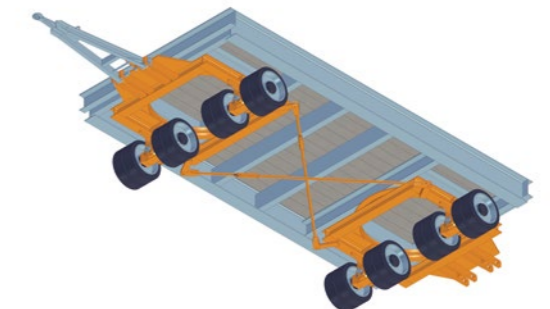
MAFI Heavy-Duty Trailers with turntable steering for payloads of up to 63 t

The advantage of the turntable steering is the robust, low-maintenance roller-bearing precision turntable. The four pendulum axles give this trailer a perfect wheel load distribution



Turntable Steering Type 1110-4

- great ground clearance
- particularly agile
- steerable up to 180°
- good manoeuvrability when reversing



Double Turntable Steering Type 1120-4

- small turning radius
- in-line running
- reversible drawbar
- tilt-proof due to steering limitation

Industrial and Heavy-Duty Trailers

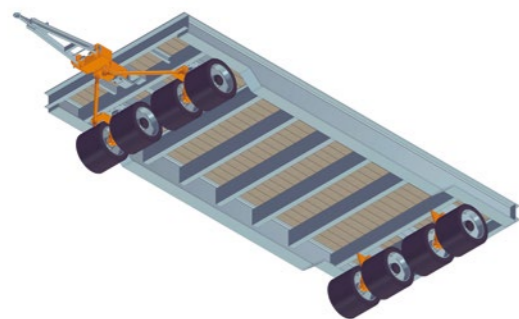


Industrial and Heavy-Duty Trailers



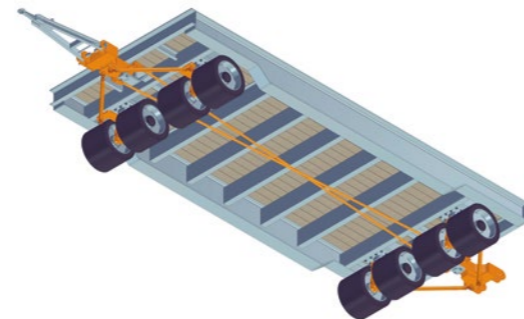
MAFI Heavy-Duty Trailers with axle tree bed bolster steering for payloads of up to 63 t

The advantages of axle tree bed bolster steering are based on the good stability and the low platform height. The four pendulum axles ensure a perfect wheel load distribution.



Two Steered Tree Bed Bolster Axles Type 1170-2/2

- steering only at the front
- good manoeuvrability when reversing

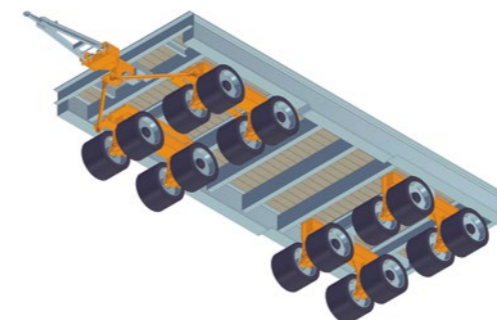


All-Wheel Axle Tree Bed Bolster Steering Type 1170-4

- small turning radius
- reversible drawbar

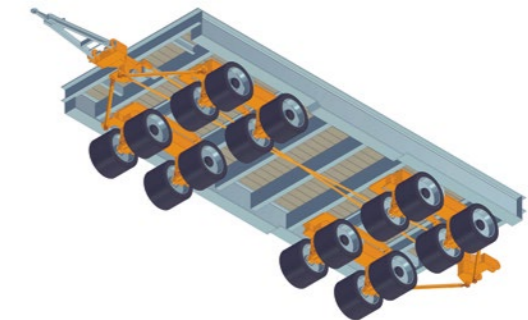
MAFI Heavy-Duty Trailers with axle tree bed bolster steering and mech. axle load balancing for payloads of up to 140 t

The advantage of axle tree bed bolster steering with mechanical axle load balancer is the high level of stability. The eight pendulum axles and the four longitudinal rockers ensure optimal wheel load distribution and low ground pressure.



Four Steered Axle Tree Bed Bolster Steering Type 1190-2/2

- steering only at the front
- good manoeuvrability when reversing



All-Wheel Axle Tree Bed Bolster Steering Type 1190-4

- small turning radius
- reversible drawbar

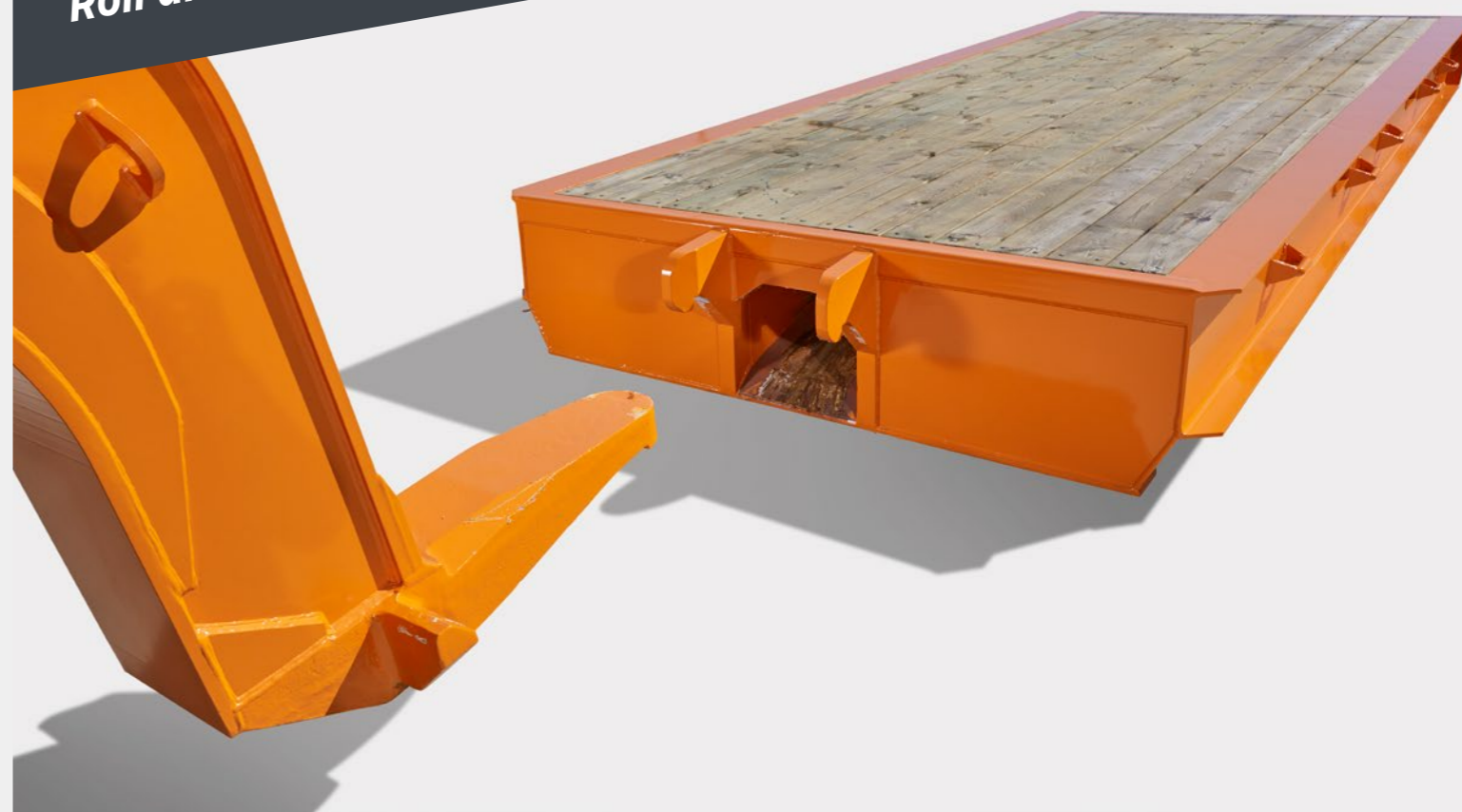
Container Chassis



MAFI Container Chassis

Container chassis are used to transport standard ISO containers within seaports. The containers are lowered from the ship onto the chassis, which is coupled to a terminal tractor. The containers are distributed or reloaded inside the port terminal. Container Chassis are available in lengths of up to 45 feet. The payload can be up to 70 tons. Container chassis are available in different versions depending on customer requirements. They can be delivered as bump carts, with twist locks or with centering pins. Various options such as air brakes, rear lights, ladders etc. are also available.

Roll and Cargo-Trailer



MAFI Roll and Cargo-Trailer

Roll and Cargo-Trailer can be used to transport various goods with payloads of up to 250 tons. Common sizes are 20, 30 or 40 feet. The various options that are available allow the trailers to be designed for a specific transport task. The platform size can be customized and can be delivered with a wood or steel deck or simply as a skeletal frame. Twist locks, stanchions, lashing rings and corner guides are also available. The running gears are either equipped with solid rubber tires or with super elastic tires. The advantages of the system are simple and versatile handling, the robust, low-maintenance design, and the fact that they provide a solution for the efficient transport and mobile storage of goods.





MAFI Equipment

Goosenecks, Parking Stands and Ballast Weights

With a wide range of equipment, MAFI Transport-Systeme GmbH is a real system supplier. MAFI offers various goosenecks and ballast weights for your heavy-duty tractor. And if you use a forklift, MAFI also has the right gooseneck for your forklift operation.



Gooseneck for Tractors



MAFI Goosenecks Type SH 36 / SH 45 / C-Hook

A MAFI gooseneck is used to pull roll and cargo-trailer. A detachable gooseneck is only coupled onto the tractor's 5th wheel hitch when necessary, which means, the tractor remains flexible and can still be used to move semitrailers. The gooseneck is selected based on the fifth wheel capacity of the tractor. System loads of up to 250 tons are possible.



Gooseneck for Forklifts



MAFI Goosenecks Type GSH 10 / GSH 16

The forklift gooseneck (GSH) is specially designed for the safe transport of roll-trailers with a forklift. This combination can move payloads of up to 50 tons. This simple transport solution enables companies to carry out their internal logistics tasks safely and quickly, and it also reduces costs. Forklift goosenecks are available with a manual bolt lock or with an automatic locking mechanism forklifts with hydraulically adjustable forks. The mounting plate for the forks is individually designed to fit your exact forklift.

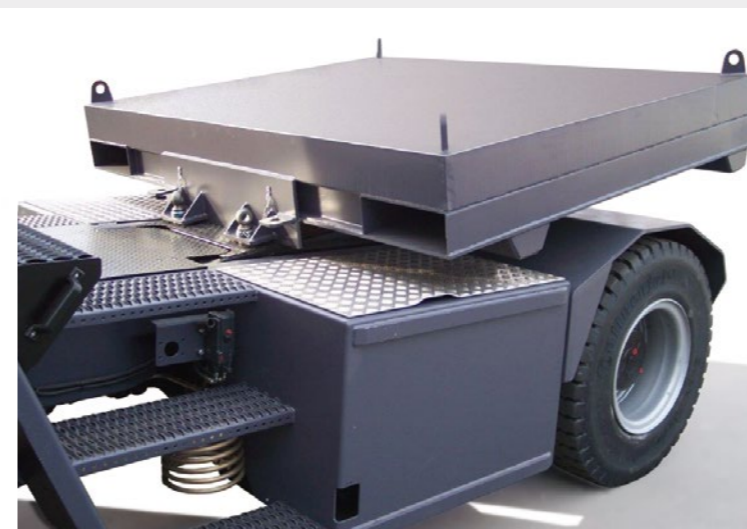


Ballast Weight



MAFI Ballast Weights for Tractors

The traction plays a crucial role in pulling drawbar trailers. For this purpose, a ballast weight can be mounted on over the rear axle of the tractor. There are both permanent or detachable versions available. Fixed ballast weights are permanently mounted on a tractor. Detachable ballast weights, on the other hand, can be parked on a separate frame and can be picked up by a tractor with an elevating 5th wheel hitch.





MAFI - Who We Are

All our products are made in Germany, respectively Europe by a team of employees from all over the world. This combined experience and knowledge gives us the creativity and strength to meet the demands of the future.

Along with professional consultation, we focus on our customer needs and give them our full support wherever help is required. Our trained and skilled service team is available for any questions or challenges, no matter how complicated they are.

Furthermore, our international dealer network means that immediate support is available right at your doorstep.



MAFI Production World

For more than 60 years, MAFI has been manufacturing tractors and trailers for seaports and industry. No matter what application the vehicle is needed for, we always do our most to find the perfect solution.

This long-lasting success is based on our employees and their capability to improve our business operations. We are committed to creating a strong workforce to secure the future of MAFI's growth.

The name MAFI is recognized all over the world for its products without even mentioning them. Our goal is to give everybody the best support and build strong, lasting business relationships.





MAFI Tractors

Terminal and RoRo Tractors

MAFI offers the right tractor for your transport task. These tractors are designed with a hydraulically lifting 5th wheel for internal transport tasks in seaports, industries and logistic centres. The tractors are available for 5th wheel loads of up to 45 tons and system loads of up to 250 tons.

Please see our tractor brochure for more information.



T 230



T 225 D



T 230 F



R 332 / R336



R 332 Z



HD 445



